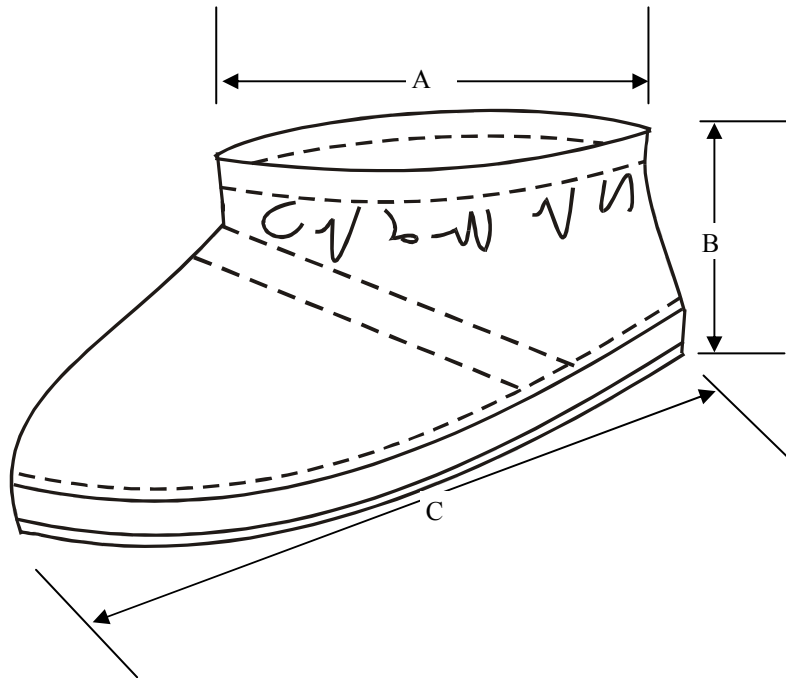




Critical Environment Solutions Ltd



SIZE	XS	S	M	L	XL	2XL	3XL	4XL	5XL	TOL +/-
A	8	9	9.5	10.25	10.5	11.25	11.5	11.5	11.5	0.5
B	20	20	20	20	20	20	20	20	20	0.5
C	10	11.5	12.25	13	13.5	14	14.5	15	15.75	0.5

Fabric Specification

Fabric Code	NIK
Weave	100 g/m
Filtration Efficiency	≥ 0.3 μ 90-93%
	≥ 0.3 μ 90-93%
Tensile Stregth	Warp 108kg
ASTM D 5034 (C.R.E.) Grad Method	Weft 64kg
Surface Resistivity (ohms)	10 ⁶ 10 ⁶
Water Vapour Permeability JIS 1099	305
Air Permeability JIS 1099 (cm/cm/sec)	3-4
Static Decay ASTM D 4238 (sec)	0.01

For enquires please call 01634-731263

Or email sales@cesltd.uk.com